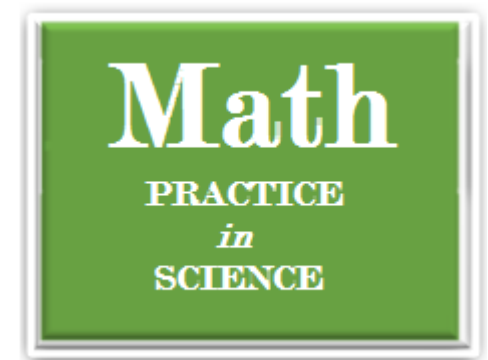


089 Math Practice

Metric Volume



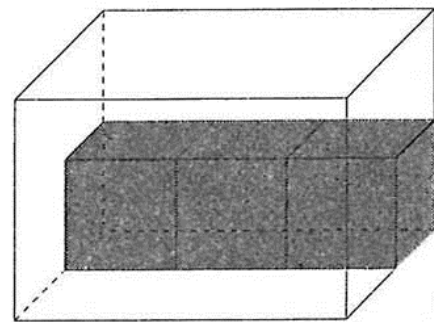
Volume is measured in cubic units such as cubic millimeters (mm^3), and cubic meters (m^3).

cubic millimeter: 

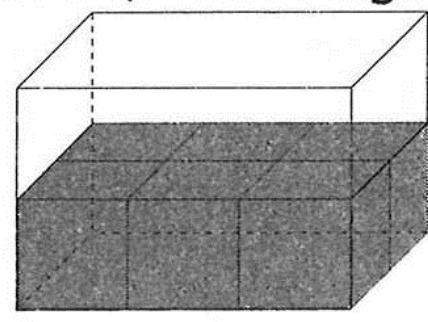
cubic centimeter: 

We can think of finding the volume of a rectangular prism as counting how many of these cubic units will fit into the prism.

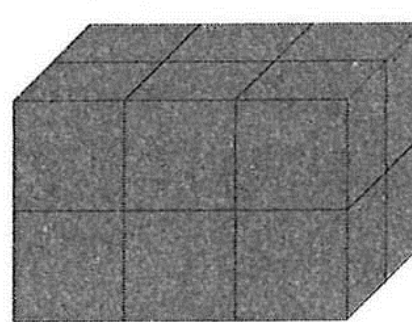
Example: Find the volume of a rectangular prism having a length of 3 cm, a width of 2 cm, and a height of 2 cm.



One row of 3 cm^3
3



Two rows of 3 cm^3
 3×2



Two layers
of 6 cm^3
 $3 \times 2 \times 2$

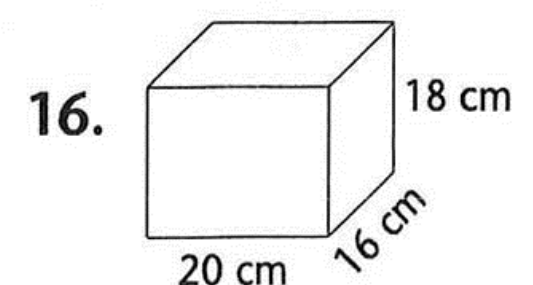
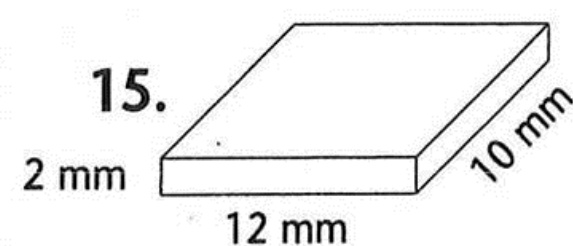
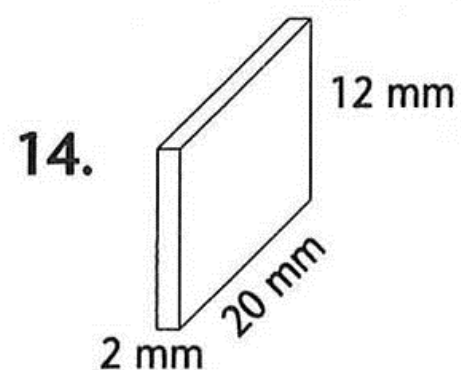
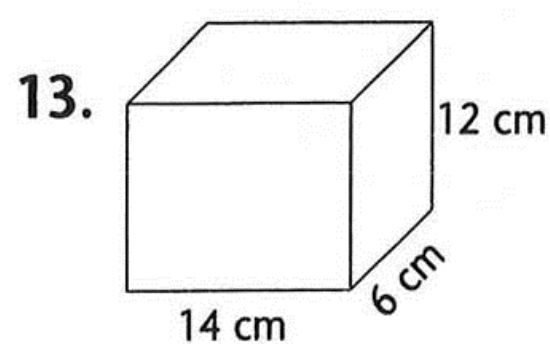
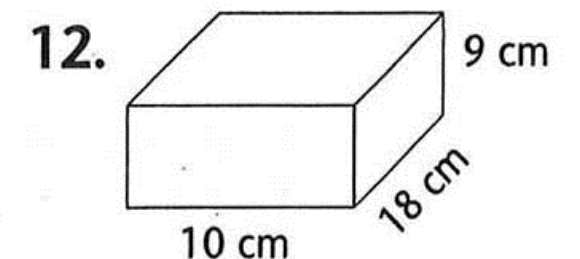
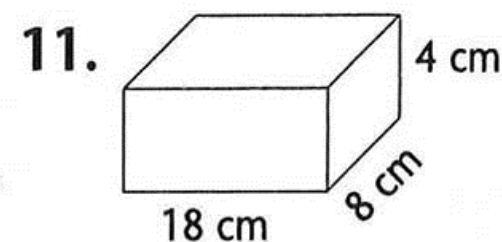
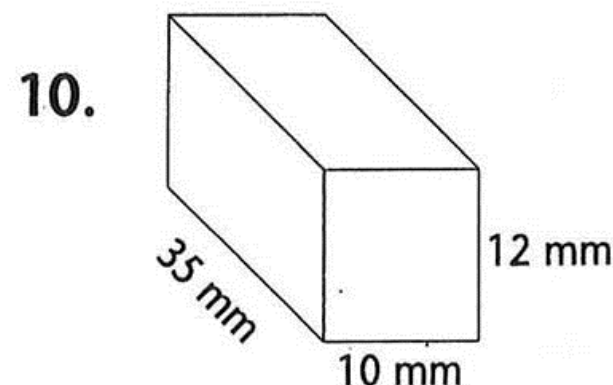
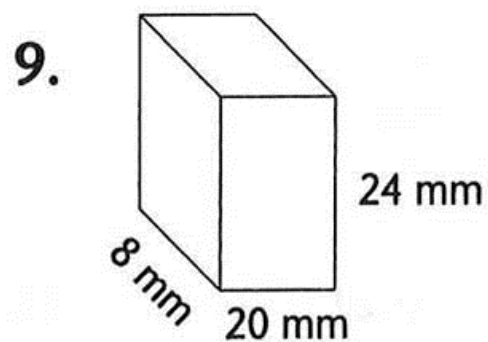
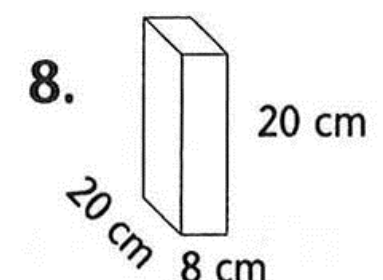
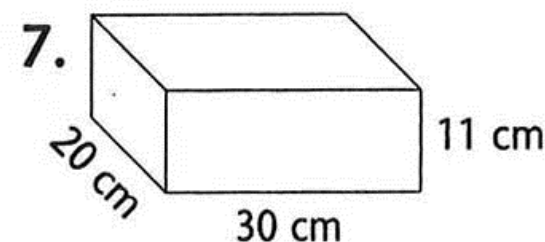
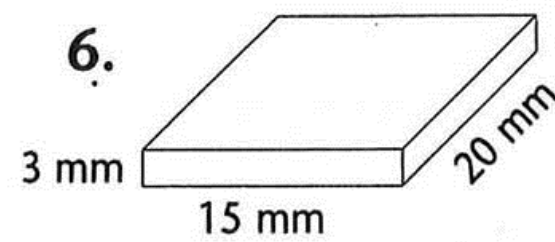
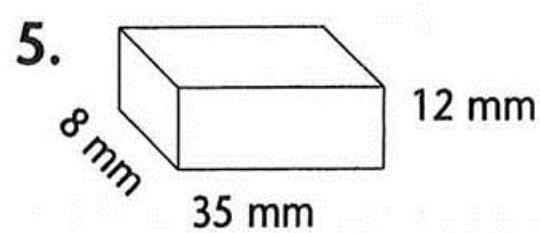
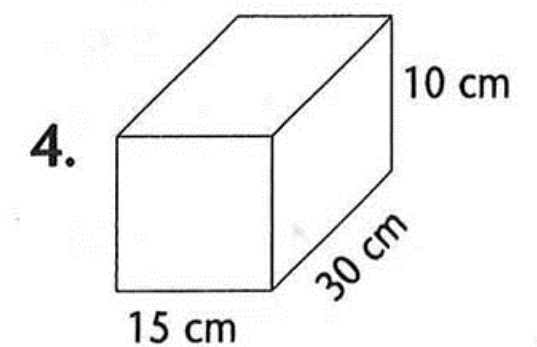
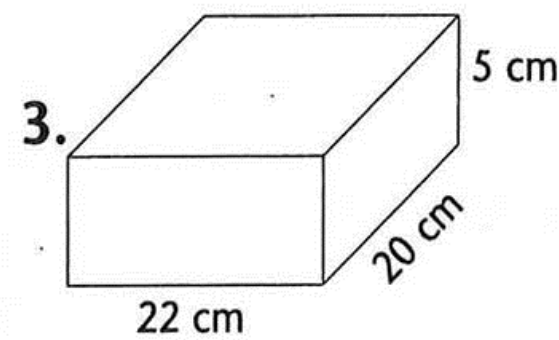
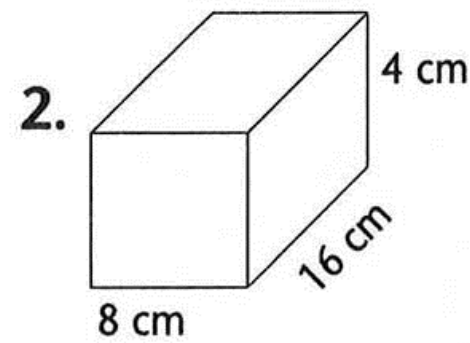
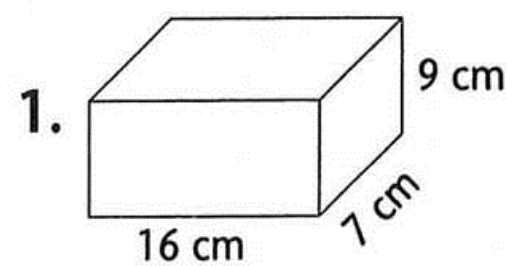
Volume = length \times width \times height

$$V = 3 \text{ cm} \times 2 \text{ cm} \times 2 \text{ cm}$$

$$V = 3 \times 2 \times 2$$

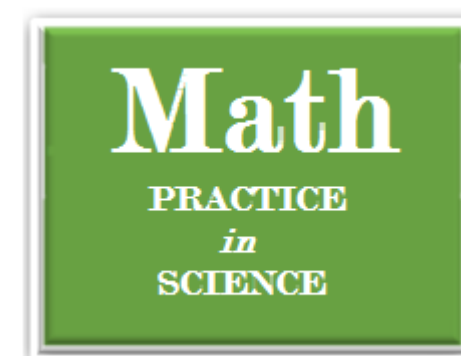
$$V = 12 \text{ cm}^3$$

Find the volume of each rectangular prism.



Honeycutt Science

Math Chops



Math Practice

Our math section provides quick, relevant math-practice worksheets to complement science-student *math-chops*. For example, the math worksheets are convenient to print and provide meaningful reinforcement to students who may finish work early, or need additional math practice for an upcoming science topic. The (*pdf*) worksheets are generally presented as a two-page set. Conveniently print the worksheets front and back.

Mathematics is a language that can describe relationships and change in relationships in a rational way. Science generally uses mathematics as a tool to describe science. Galileo and Albert Einstein believed that the laws of the Universe are mathematical (see more from [Quora](#)).



Honeycutt Science – it's about natural science.

This web site provides free-to-use science curriculum for high school teachers, students, and parent-guardians. Quickly scan available topics for [biology](#), [chemistry](#), [earth science](#), [physical science](#). Discover more about [John Honeycutt](#), creator of Honeycutt Science.